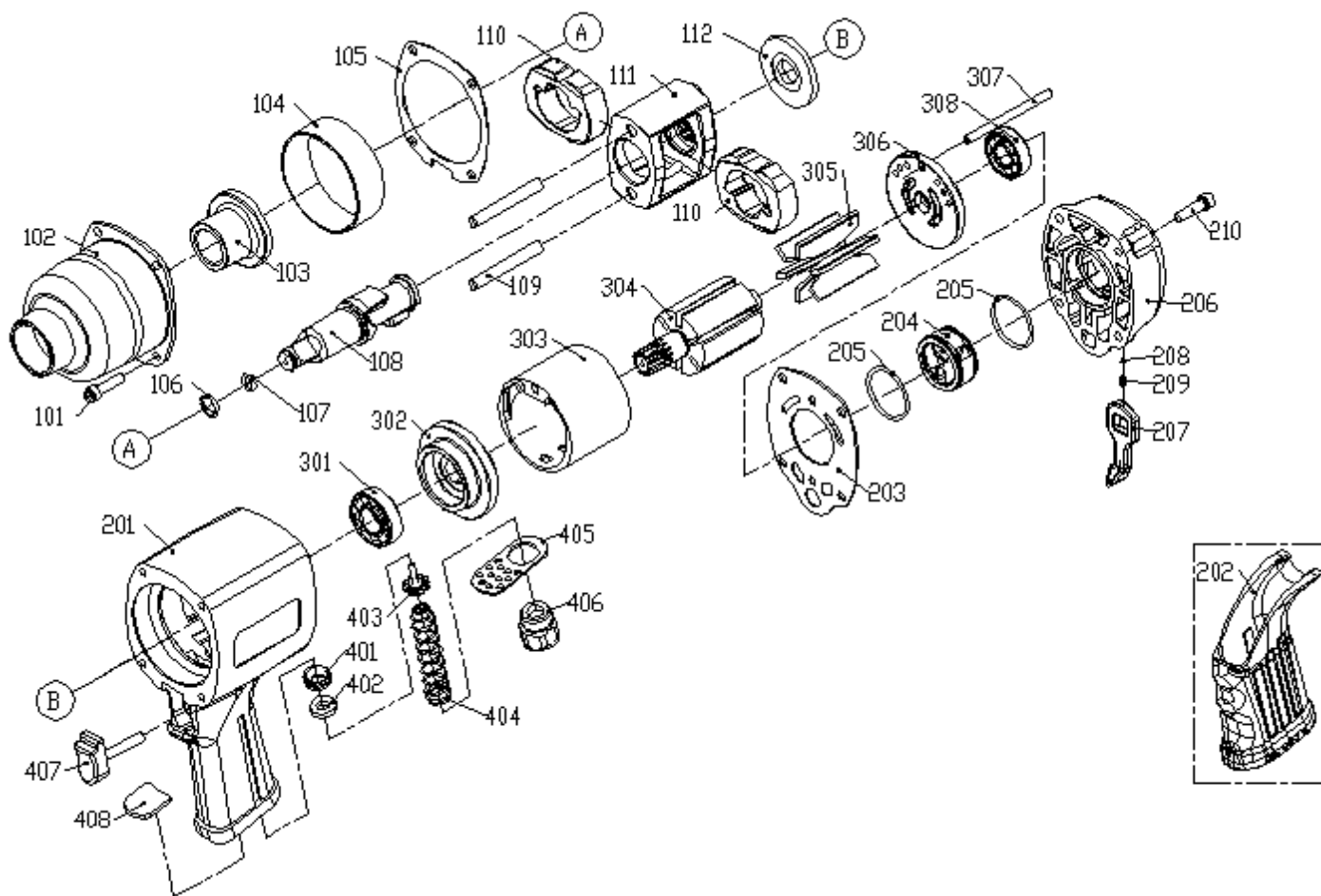


# AW500MSD 1/2" DRIVE IMPACT WRENCH PRODUCT # 400245



REF	PART NUMBER	DESCRIPTION	REQ	REF	PART NUMBER	DESCRIPTION	REQ
001	PBIAW500MSD001	AIR PLUG	1	208	PBIAW500MSD208	BALL	1
101	PBIAW500MSD101	BOLT ASSY	4	209	PBIAW500MSD209	SPRING	1
102	PBIAW500MSD102	HAMMER CASE	1	210	PBIAW500MSD210	BOLT ASSY	4
103	PBIAW500MSD103	HAMMER CASE BUSHING	1	301	PBIAW500MSD301	BEARING	1
104	PBIAW500MSD104	HAMMER CASE PILOT	1	302	PBIAW500MSD302	FRONT BEARING PLATE	1
105	PBIAW500MSD105	HAMMER CASE GASKET	1	303	PBIAW500MSD303	CYLINDER	1
106	PBIAW500MSD106	SOCKET RETAINER	1	304	PBIAW500MSD304	ROTOR	1
107	PBIAW500MSD107	O - RING	1	305	PBIAW500MSD305	BLADES	6
108	PBIAW500MSD108	ANVIL	1	306	PBIAW500MSD306	REAR BEARING PLATE	1
109	PBIAW500MSD109	HAMMER FRAME PIN	2	307	PBIAW500MSD307	PIN	1
110	PBIAW500MSD110	HAMMER	2	308	PBIAW500MSD308	BEARING	1
111	PBIAW500MSD111	HAMMER FRAME	1	401	PBIAW500MSD401	INSERT BUSHING	1
112	PBIAW500MSD112	WASHER	1	402	PBIAW500MSD402	SEAL	1
201	PBIAW500MSD201	HOUSING	1	403	PBIAW500MSD403	TIP VALVE	1
202	PBIAW500MSD202	GRIP	1	404	PBIAW500MSD404	VALVE SPRING	1
203	PBIAW500MSD203	HOUSING GASKET	1	405	PBIAW500MSD405	EXHAUST DEFLECTOR	1
204	PBIAW500MSD204	REVERSE VALVE	1	406	PBIAW500MSD406	INLET BUSHING	1
205	PBIAW500MSD205	O - RING	2	407	PBIAW500MSD407	TRIGGER	1
206	PBIAW500MSD206	REAR COVER UNIT	1	408	PBIAW500MSD408	MUFFLER	1
207	PBIAW500MSD207	LEVER	1				