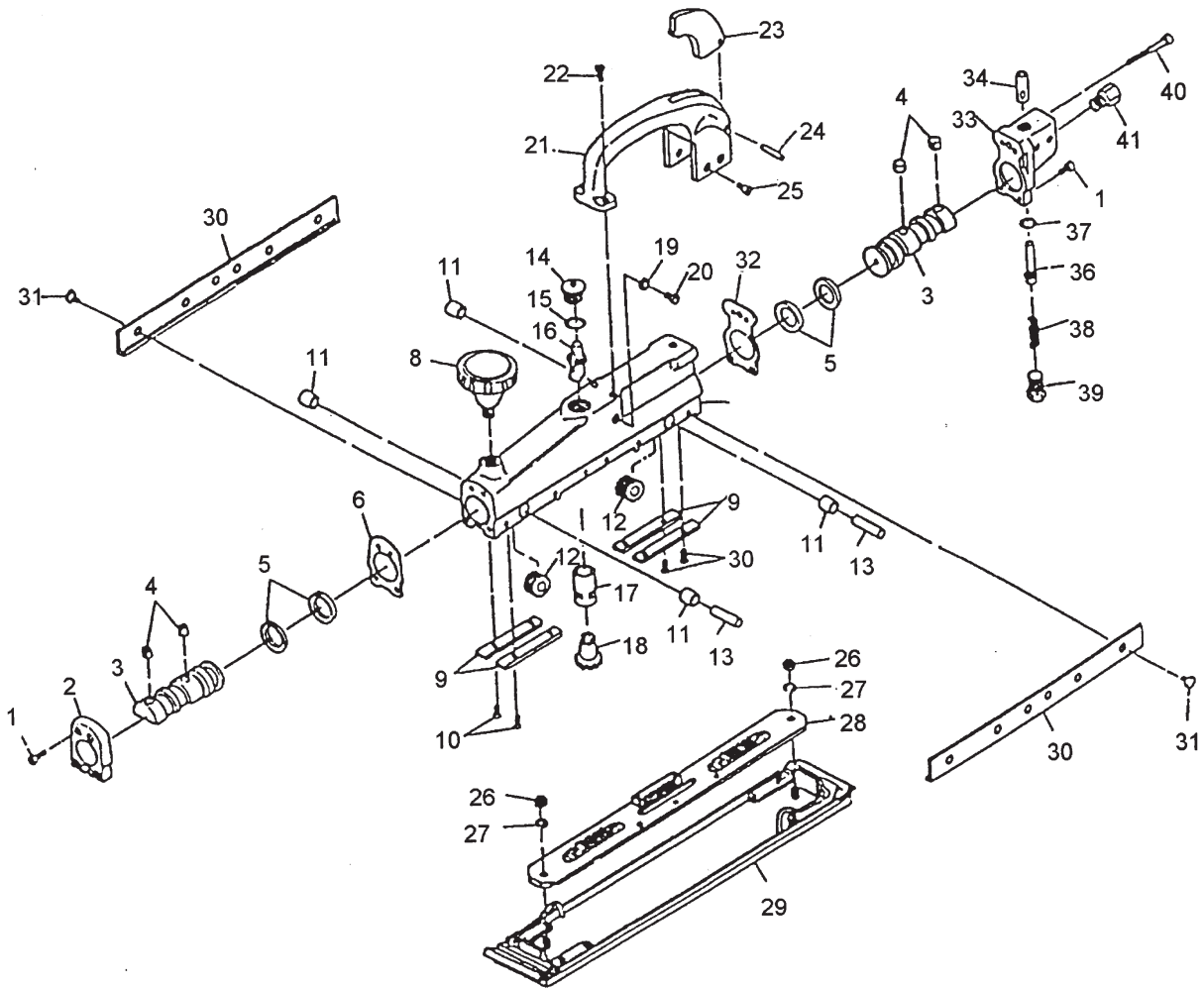


BFS315D DUAL PISTON SANDER PRODUCT # 403313



REF	PART NUMBER	DESCRIPTION	REQ	REF	PART NUMBER	DESCRIPTION	REQ
1	PUT-109001	BFS315D SOCKET HEAD SC	6	20	PUT-109020	BFS315D FLAT HEAD SCREW	1
2	PUT-109002	BFS315D FRONT CAP	1	21	PUT-109021	BFS315D HANDLE	1
3	PUT-109003	BFS315D PISTON	2	22	PUT-109022	BFS315D PHILIPS RD HEAD SCR	1
4	PUT-109004	BFS315D PLUG	4	23	PUT-109023	BFS315D TRIGGER	1
5	PUT-109005	BFS315D PISTON RING	4	24	PUT-109024	BFS315D ROLL PIN	1
6	PUT-109006	BFS315D FRONT GASKET	1	25	PUT-109025	BFS315D PHILIPS RD HEAD SCR	4
7	PUT-109007	BFS315D BODY	1	26	PUT-109026	BFS315D HEX NUT	2
8	PUT-109008	BFS315D KNOB	1	27	PUT-109027	BFS315D WASHER	2
9	PUT-109009	BFS315D WEAR PLATE	4	28	PUT-109028	BFS315D CARRIER	1
10	PUT-109010	BFS315D SOCKET HEAD SC	8	29	PUT-109029	BFS315D PAD ASSEMBLY	1
11	PUT-109011	BFS315D BUSHING	4	30	PUT-109030	BFS315D SLIDE STRAP	2
11A	PUT-109011A	BFS315D BEARING	4	31	PUT-109031	BFS315D PHILIPS RD HEAD SCR	12
12	PUT-109012	BFS315D GEAR	2	32	PUT-109032	BFS315D REAR GASKET	1
13	PUT-109013	BFS315D GEAR SHAFT	2	33	PUT-109033	BFS315D REAR CAP	1
14	PUT-109014	BFS315D PLUNGER	1	34	PUT-109034	BFS315D BUSHING	1
15	PUT-109015	BFS315D O-RING	1	36	PUT-109036	BFS315D VALVE PIN	1
16	PUT-109016	BFS315D ADJ SHAFT	1	37	PUT-109037	BFS315D O-RING	1
17	PUT-109017	BFS315D ACTUATOR VALVE	1	38	PUT-109038	BFS315D VALVE SPRING	1
18	PUT-109018	BFS315D ACTUATOR GEAR	1	39	PUT-109039	BFS315D VALVE PLUG	1
19	PUT-109019	BFS315D O-RING	1	40	PUT-109040	BFS315D SOCKET HEAD SCREW	2
				41	PUT-109041	BFS315D HOSE ADAPTER	1