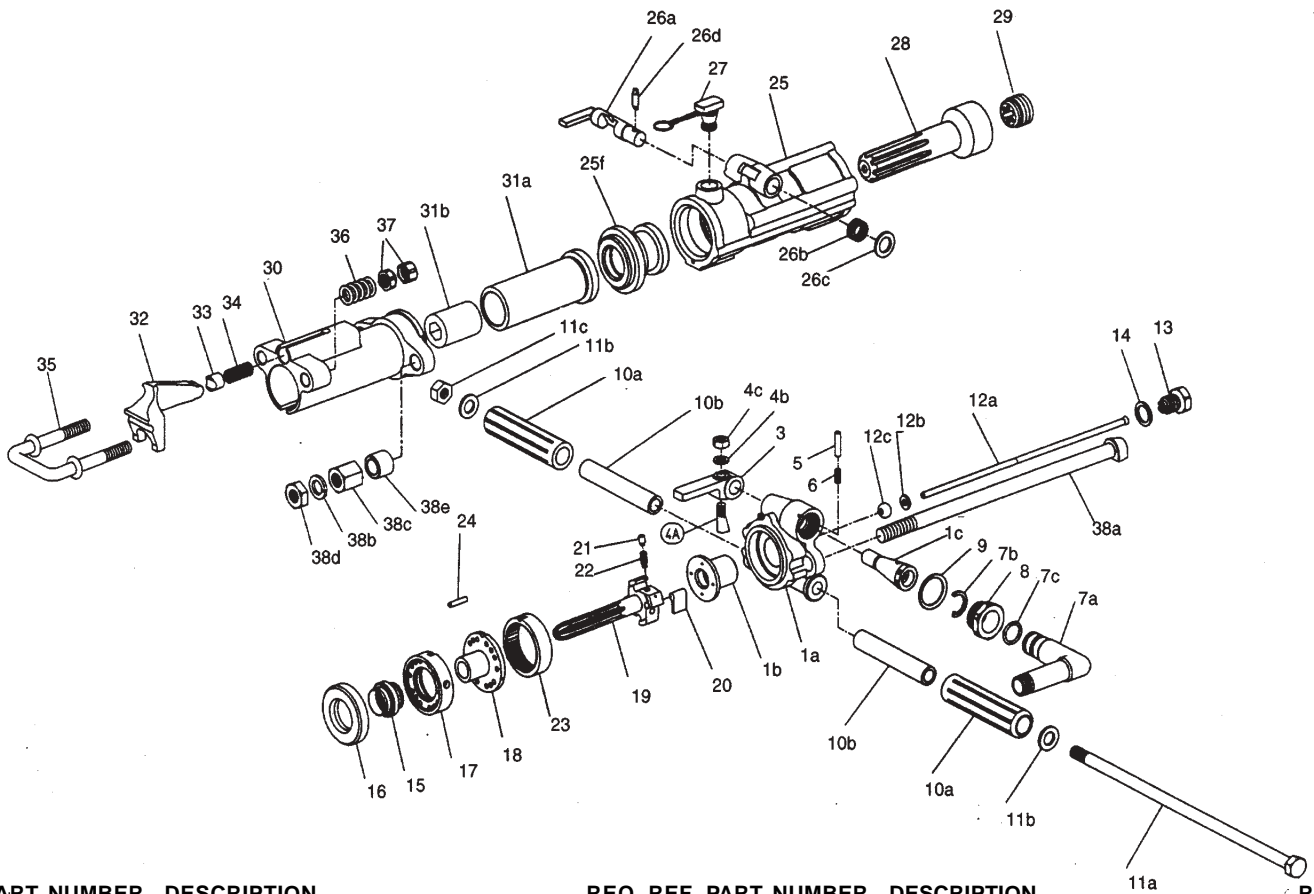


TS55 7/8" / 1" ROCK/SINKER DRILL PRODUCT # 404811/2



REF	PART NUMBER	DESCRIPTION	REQ	REF	PART NUMBER	DESCRIPTION	REQ
1A	PTK-430301A00	TS55 BACK HEAD CP	1	21	PTK-430301H30	TS55 PAWL SPRING (P)	4
1B	PTK-430301A10	TS55 BACK HEAD BUSHING	1	22	PTK-130803036	TS55 PAWL SPRING (P)	4
1C	PTK-430301A40	TS55 THROTTLE VALVE	1	23	PTK-430301G70	TS55 RATCHET RING	1
3	PTK-430301A50	TS55 THROTTLE VALVE HANDLE	1	24	PTK-130403031	TS55 RATCHET RING DOWEL PIN	1
4A	PTK-131503021	TS55 THROTTLE VALVE HANDLE BOLT	1	25	PTK-430301C8B	TS55 CYLINDER CP (W/PLUG)	1
4B	PTK-131303028	TS55 SPRING WASHER 7/16	1	25F	PTK-430301D10	TS55 CYLINDER BUSHING	1
4C	PTK-134203008	TS55 HEX NUT W7/16	1	26A	PTK-430301P70	TS55 EXHAUST CONTROL VALVE	1
5	PTK-430301M80	TS55 DETENT PLUNGER	1	26B	PTK-130803037	TS55 EXHAUST CONTROL SPRING	1
6	PTK-130803035	TS55 DETENT PLUNGER SPRING	1	26C	PTK-131309020	TS55 EXHAUST CONTROL WASHER M20	1
7A	PTK-430306B00	TS55 AIR CONNECTION TUBE NPT	1	26D	PTK-430301P90	TS55 EXHAUST CONTROL PIN	1
7B	PTK-430301B20	TS55 AIR CONNECTION CLAMP	1	27	PTK-430301R5A	TS55 FILLER PLUG CP	1
7C	PTK-131101023	TS55 AIR CONNECTION O-RING P-24	1	28	PTK-430301E50	TS55 PISTON	1
8	PTK-430301B30	TS55 AIR CONNECTION NUT	1	29	PTK-430301H10	TS55 RIFLE NUT	1
9	PTK-430301B50	TS55 AIR CONNECTION WASHER	1	30	PTK-430306W70	TS55 FRONT HEAD (L)	1
10A	PTK-136603008	TS55 HANDLE GRIP (BARE)	2	30A	PTK-430306H60	TS55 ROTATION SLEEVE (L)	1
10B	PTK-430301C50	TS55 GRIP HANDLE PIPE	2	31B	PTK-430302H80	TS55 SLEEVE BUSHING 7/8" (L)	1
11A	PTK-131503022	TS55 HANDLE BOLT	1	31B	PTK-430306H80	TS55 SLEEVE BUSHING 1" (L)	1
11B	PTK-131307016	TS55 HANDLE WASHER M-16	2	32	PTK-430301L20	TS55 STEEL PULLER	1
11C	PTK-134411016	TS55 HEX NUT W5/8	1	33	PTK-430301M40	TS55 STEEL PULLER PIVOT	1
12A	PTK-430301J40	TS55 BLOW TUBE	1	34	PTK-130803038	TS55 STEEL PULLER SPRING	1
12B	PTK-430301J71	TS55 BLOW TUBE WASHER	1	35	PTK-430301M5A	TS55 STEEL PULLER YOKE CP	1
12C	PTK-136303015	TS55 BLOW TUBE RUBBER	1	36	PTK-130803039	TS55 STEEL PULLER YOKE SPRING	2
13	PTK-430301J50	TS55 BLOW TUBE GLAND	1	37A	PTK-430301M60	TS55 STEEL YOKE NUT (LOWER)	2
14	PTK-430301J60	TS55 BLOW TUBE GASKET	1	37B	PTK-430301M70	TS55 STEEL YOKE NUT (UPPER)	2
15	PTK-430301F80	TS55 VALVE	1	38A	PTK-430301W00	TS55 THROUGH BOLT	2
16	PTK-430301G10	TS55 VALVE CHEST (FRONT)	1	38B	PTK-131303048	TS55 STEEL RETAINER BOLT WSHR 3/4"	2
17	PTK-430301G00	TS55 VALVE CHEST (REAR)	1	38C	PTK-134203009	TS55 THROUGH BOLT NUT (L)	2
18	PTK-430301G40	TS55 VALVE PLUG	1	38D	PTK-134203010	TS55 THROUGH BOLT NUT (S)	2
19	PTK-430301H00	TS55 RIFLE BAR	1	38E	PTK-430301R90	TS55 SPACER RING	2
20	PTK-430301H20	TS55 ROTATION PAWL	4				