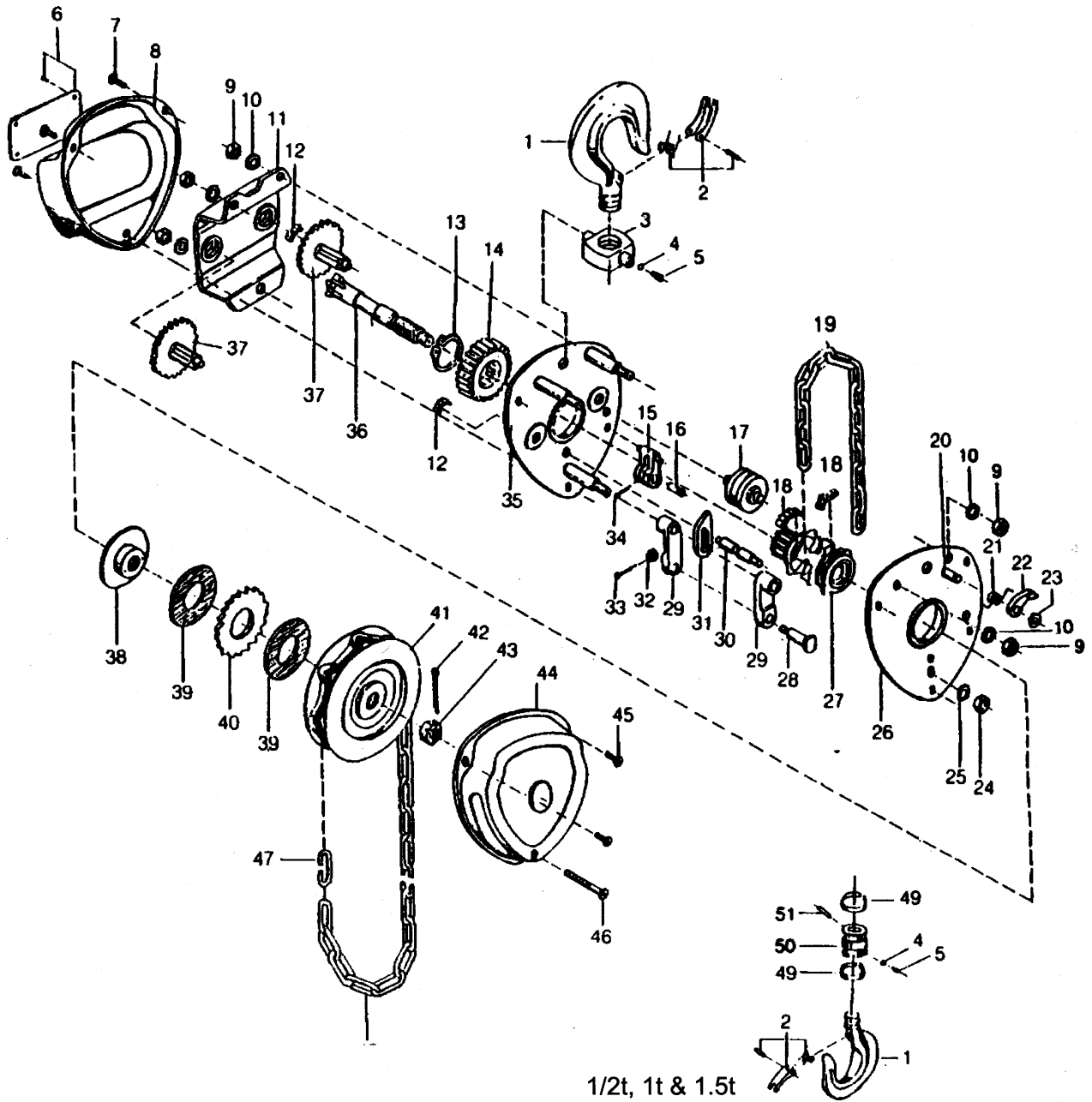
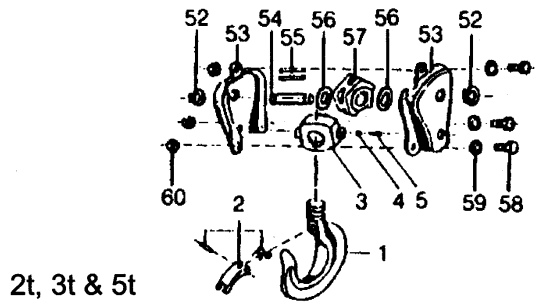


SUMO SCH SERIES CHAIN HOIST



1/2t, 1t & 1.5t



2t, 3t & 5t



SUMO SCH SERIES CHAIN HOIST PRODUCT # E06913,E06918

REF	DESCRIPTION	1/2T	1Ton
1 + 2	HOOK WITH SAFETY LATCH	PWC-SCH05-01	PWC-SCH10-01
2	SAFETY LATCH KIT C/W SPRING & PIN	PWC-SCH05-02	PWC-SCH10-02
3 + 5	HOOK HOLDER AND SCREW	PWC-SCH05-03	PWC-SCH10-03
3+52 To 60	HOOK HANGER ASSY		
4	STEEL BALL (SET)	PWC-SCH05-04	PWC-SCH10-04
5	SCREW	PWC-SCH05-05	PWC-SCH10-05
5+49 To 51	HOOK HANGER ASSY	PWC-SCH05-49	PWC-SCH10-49
6	NAME PLATE ASSY	PWC-SCH05-06	PWC-SCH10-06
7	COVER SCREW	PWC-SCH05-07	PWC-SCH05-07
7+8	SHEET COVER KIT	PWC-SCH05-08	PWC-SCH10-08
9	HEX NUT	PWC-SCH05-09	PWC-SCH05-09
10	LOCK WASHER	PWC-SCH05-10	PWC-SCH05-10
11	BEARING PLATE ASSY	PWC-SCH05-11	PWC-SCH10-11
12	ROLLER (SET)	PWC-SCH05-12	PWC-SCH10-12
13	RETAINING RING	PWC-SCH05-13	PWC-SCH10-13
14	SPLINED GEAR	PWC-SCH05-14	PWC-SCH10-14
15	CHAIN STOP PLATE	PWC-SCH05-15	PWC-SCH10-15
16	CHAIN STOP PLATE PIN	PWC-SCH05-16	PWC-SCH10-16
17	GUIDE ROLLER	PWC-SCH05-17	PWC-SCH10-17
18	ROLLER (SET)	PWC-SCH05-18	PWC-SCH10-18
19	LOAD CHAIN: USE	105455 6MM	105455 6MM
21	PAWL SPRING	PWC-SCH05-21	PWC-SCH10-21
22	PAWL	PWC-SCH05-22	PWC-SCH10-22
23	RETAINING RING	PWC-SCH05-23	PWC-SCH10-23
26	LEFT SIDE PLATE ASSY	PWC-SCH05-26	PWC-SCH10-26
27	LOAD CHAIN SHEAVE	PWC-SCH05-27	PWC-SCH10-27
28+32+33	SHOULDER BOLT, NUT AND PIN		
29	CONNECTING CHAIN PLATE (2PCS/SET)		
30 + 31	STRIPPER AND STRIPPER PIN	PWC-SCH05-30	PWC-SCH10-30
34	COTTER PIN	PWC-SCH05-34	PWC-SCH05-34
35	RIGHT SIDE PLATE ASSY	PWC-SCH05-35	PWC-SCH10-35
36	DRIVING PINION	PWC-SCH05-36	PWC-SCH10-36
37	DISC GEAR ASSY	PWC-SCH05-37	PWC-SCH10-37
38	BRAKE SEAT	PWC-SCH05-38	PWC-SCH10-38
39	FRICTION DISC (2)	PWC-SCH05-39	PWC-SCH10-39
40	RATCHET DISC	PWC-SCH05-40	PWC-SCH10-40
41	HAND CHAIN WHEEL	PWC-SCH05-41	PWC-SCH10-41
42	COTTER PIN	PWC-SCH05-42	PWC-SCH05-42
43	SLOTTED NUT	PWC-SCH05-43	PWC-SCH10-43
44+45+46	CHAIN WHEEL COVER KIT	PWC-SCH05-44	PWC-SCH10-44
46	COVER SCREW LONG	PWC-SCH05-46	PWC-SCH10-46
47	CONNECTING LINK	PWC-SCH05-47	PWC-SCH05-47
48	HAND CHAIN; USE	105485 5MM	105485 5MM

SUMO SCH SERIES CHAIN HOIST PRODUCT

E06928,E06933,E06938

REF	DESCRIPTION	2Ton	3Ton	5Ton
1 + 2	HOOK WITH SAFETY LATCH	PWC-SCH20-01	PWC-SCH30-01	PWC-SCH50-01
2	SAFETY LATCH KIT C/W SPRING & PIN	PWC-SCH20-02	PWC-SCH30-02	PWC-SCH50-02
3 + 5	HOOK HOLDER AND SCREW	PWC-SCH20-03	PWC-SCH15-03	PWC-SCH50-03
3+52 To 60	HOOK HANGER ASSY	PWC-SCH20-52	PWC-SCH30-52	PWC-SCH50-52
4	STEEL BALL (SET)	PWC-SCH20-04	PWC-SCH15-04	PWC-SCH50-04
5	SCREW	PWC-SCH20-05	PWC-SCH15-05	PWC-SCH50-05
5+49 To 51	HOOK HANGER ASSY			
6	NAME PLATE ASSY	PWC-SCH20-06	PWC-SCH30-06	PWC-SCH50-06
7	COVER SCREW	PWC-SCH05-07	PWC-SCH15-07	PWC-SCH15-07
7+8	SHEET COVER KIT	PWC-SCH10-08	PWC-SCH15-08	PWC-SCH50-08
9	HEX NUT	PWC-SCH05-09	PWC-SCH15-09	PWC-SCH50-09
10	LOCK WASHER	PWC-SCH05-10	PWC-SCH15-10	PWC-SCH50-10
11	BEARING PLATE ASSY	PWC-SCH10-11	PWC-SCH15-11	PWC-SCH50-11
12	ROLLER (SET)	PWC-SCH10-12	PWC-SCH15-12	PWC-SCH50-12
13	RETAINING RING	PWC-SCH10-13	PWC-SCH15-13	PWC-SCH50-13
14	SPLINED GEAR	PWC-SCH10-14	PWC-SCH15-14	PWC-SCH50-14
15	CHAIN STOP PLATE	PWC-SCH10-15	PWC-SCH15-15	PWC-SCH50-15
16	CHAIN STOP PLATE PIN	PWC-SCH10-16	PWC-SCH15-16	PWC-SCH50-16
17	GUIDE ROLLER	PWC-SCH10-17	PWC-SCH15-17	PWC-SCH50-17
18	ROLLER (SET)	PWC-SCH10-18	PWC-SCH15-18	PWC-SCH50-18
19	LOAD CHAIN: USE	105455 6MM	105460 8MM	105465 10MM
21	PAWL SPRING	PWC-SCH10-21	PWC-SCH15-21	PWC-SCH50-21
22	PAWL	PWC-SCH10-22	PWC-SCH15-22	PWC-SCH50-22
23	RETAINING RING	PWC-SCH10-23	PWC-SCH15-23	PWC-SCH50-23
26	LEFT SIDE PLATE ASSY	PWC-SCH20-26	PWC-SCH15-26	PWC-SCH50-26
27	LOAD CHAIN SHEAVE	PWC-SCH10-27	PWC-SCH15-27	PWC-SCH50-27
28+32+33	SHOULDER BOLT, NUT AND PIN	PWC-SCH20-28	PWC-SCH30-28	PWC-SCH50-28
29	CONNECTING CHAIN PLATE (2PCS/SET)	PWC-SCH20-29	PWC-SCH30-29	PWC-SCH50-29
30 + 31	STRIPPER AND STRIPPER PIN	PWC-SCH10-30	PWC-SCH15-30	PWC-SCH50-30
34	COTTER PIN	PWC-SCH05-34	PWC-SCH05-34	PWC-SCH05-34
35	RIGHT SIDE PLATE ASSY	PWC-SCH20-35	PWC-SCH15-35	PWC-SCH50-35
36	DRIVING PINION	PWC-SCH10-36	PWC-SCH15-36	PWC-SCH50-36
37	DISC GEAR ASSY	PWC-SCH10-37	PWC-SCH15-37	PWC-SCH50-37
38	BRAKE SEAT	PWC-SCH10-38	PWC-SCH15-38	PWC-SCH50-38
39	FRICTION DISC (2)	PWC-SCH10-39	PWC-SCH15-39	PWC-SCH50-39
40	RATCHET DISC	PWC-SCH10-40	PWC-SCH15-40	PWC-SCH50-40
41	HAND CHAIN WHEEL	PWC-SCH10-41	PWC-SCH15-41	PWC-SCH50-41
42	COTTER PIN	PWC-SCH05-42	PWC-SCH05-42	PWC-SCH05-42
43	SLOTTED NUT	PWC-SCH10-43	PWC-SCH15-43	PWC-SCH50-43
44+45+46	CHAIN WHEEL COVER KIT	PWC-SCH10-44	PWC-SCH15-44	PWC-SCH50-44
46	COVER SCREW LONG	PWC-SCH10-46	PWC-SCH15-46	PWC-SCH50-46
47	CONNECTING LINK	PWC-SCH05-47	PWC-SCH05-47	PWC-SCH05-47
48	HAND CHAIN; USE	105485 5MM	105485 5MM	105485 5MM